

EVOLUTION

GPS Speed Camera Detection System



User Manual

SNOOPER
SAFETY ALERT SYSTEMS

Introduction

Congratulations on buying a Snooper Safety Alert System!

This user manual aims to provide you with installation and user instructions for the Snooper Evolution GPS location device.

The Snooper Evolution utilises the very latest Global Positioning Satellite (GPS) technology, which has been designed to help you drive safely within the confines of today's speed limits by alerting you quickly, and easily to the presence of police speed traps, often located at accident black spots. The geographical coordinates of all 'fixed' speed monitoring systems and many officially designated accident 'hotspots' have been stored on a database (powered by Enigma) that is constantly monitored and updated by our data collection team, ensuring that you are alerted to every potentially hazardous stretch of road or danger spot

The Evolution connects quickly and easily to your PC so that you can download the database in a matter of minutes (internet connection required). Please note that a certain level of system hardware and software are required on your PC; see the section Software CD later in this manual. Once the database has been downloaded your Evolution compares your position using its built-in GPS antenna, with the position of every known 'fixed' speed monitoring system and accident 'hotspot' alerting you both audibly and visually via a speaker and LED text display ensuring your highest concentration at all times.

Drive Safely with Snooper!

The Snooper Evolution has been designed and manufactured to help enhance road safety and is in no way a licence to speed nor has it been designed as a substitute for concentration. Driving within the speed limit, whilst carefully observing current road conditions is essential.

Contents

	Page
Introduction	2
Components	4
Features	5
Registering your Snooper Evolution	6
Software CD	7
Downloading	8
Installing the Evolution	9
Operating Instructions	14
Features and Settings	18
Motorcycle Installation	22
Troubleshooting	23
Specification	26
Snooper Accessories & Price List	27
Service under Warranty	28

Components

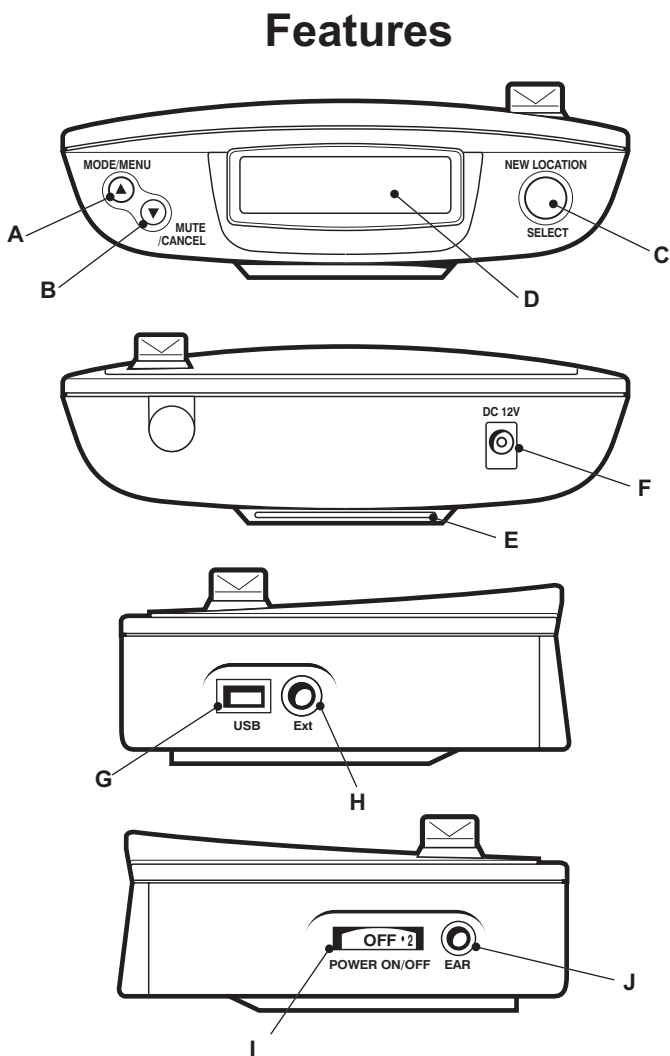
The following components come as standard with your Snooper Evolution: -

- 1 x Snooper Evolution system
- 1 x Windscreen suction cup bracket
- 2 x Hook and loop fastener
- 1 x Coiled power lead with cigarette lighter socket adaptor
- 1 x Straight 2M hard wire lead
- 1 x USB PC connecting cable
- 1 x Download Software Disc, including the user manual



PLEASE NOTE

Due to our desire to continually improve our products the specification may change without notice.



- A MODE/MENU & Scroll Button
- B MUTE/CANCEL & Scroll Button
- C New Location & Select Button
- D LED Text Display
- E Windscreen Bracket Mounting Slot
- F 12V Power Input Socket
- G USB Computer Interface Socket
- H GPS External Antenna Socket
- I Power On/Off & Volume Control
- J Earphone Socket (Earphone not included)

Registering your Snooper Evolution

IMPORTANT!

PLEASE READ BEFORE USING YOUR SNOOPER EVOLUTION

The Evolution is not pre populated with the Enigma database, at the time of purchase for security reasons. Before attempting to download the Enigma database onto the Evolution the unit must be registered.

There are several ways to register your unit:

Register Online

Go to the official Snooper website www.snooperneo.co.uk and register your unit online. Your unit should normally be activated within 30 minutes of registration.

By Fax

Print and complete the registration form, which can be found on the CD ROM and fax it to 0870 787 1700 between the hours of 9:00am and 5:30pm Monday to Friday. Your unit should normally be activated within one hour.

By Post

If you would like to register by post send the completed registration form to us at the following address.

**Performance Products Limited,
Cleaver House, Sarus Court,
Manor Park, Cheshire WA7 1UL.**

If you register by post your unit should normally be activated within 24 hours upon our receipt of your completed registration form.

Please Note: To register your Evolution you will need the serial number of your unit and you are required to select a payment method at the time of registration. There are two payment options available:

Monthly by Direct Debit - Receive 6 Months FREE, then pay only £4.95 a month. Pay only £4.95 inc VAT in easy to manage monthly payments. Direct Debit payments only start after the initial FREE 6 month period has expired.

One up-front payment of just £99.95 for 30 Months of Downloads. Pay one payment of just £99.95 Inc VAT, by credit card, debit card or cheque and save £20!

PLEASE NOTE

Due to our desire to continually improve our products the specification may change without notice.

Software CD

Before you can begin downloading the database onto your Snooper Evolution you will need to install the driver software for the USB PC connection lead first and then the Evolution Updater software that enables you to do this.

There is a certain minimum amount of hardware and software requirements needed in order for the software to be installed and used successfully.

Hardware Requirements

The computer must have an Intel Pentium Class processor or equivalent, a minimum of 32MB of RAM, a monitor with 256 (8 bit) colours or greater, a CD ROM drive, 20MB of free disc space and a spare USB connection.

Software Requirements

The software will only operate on the following Windows based operating systems - Windows 2000, Windows XP and will only work with Internet Explorer 4.5 or Netscape Navigator 4.5 or above.

NOTE: The Snooper Evolution Updater software does not support Windows 95/98/98SE, Millennium and Apple Macintosh operating systems.

Software Installation Instructions

Place the Software CD into the CD ROM drive. Your PC should automatically open a window displaying the instructions for installing the USB and download software.

To launch the CD manually: Click on Start and then Run. In the dialogue box that opens click on Browse – another dialogue box will open. Locate your CD ROM drive (drive letter is normally D) using the 'Look in' option and select 'Menu' from the lower portion of the dialogue box. Once you have selected 'Menu' click on Open on the explorer box and then OK on the Run dialogue box.

Follow the instructions carefully installing the USB driver first and then installing the Evolution download software.

Any later software updates or packages can be obtained from www.snooperneo.co.uk

NOTE: YOU WILL NEED TO RESTART YOU COMPUTER ONCE YOU HAVE INSTALLED THE SOFTWARE BEFORE ATTEMPTING A DOWNLOAD.

Once the software is installed you are ready to download the database to your Evolution. An icon for the 'Evolution Updater' will now appear in the bottom right hand corner near the clock on your desktop. This program runs automatically each time you switch on your PC, there is no need to open the program manually.

Downloading

Performing a download is simple.

- 1 Switch on your PC.
- 2 Connect the computer to the Internet.
- 3 Right click on the Evolution Updater icon and left click 'Download Settings' and select the database files you require. Once selected click 'OK'.
4. Connect the USB lead to your computer and plug the other end of the lead into your Evolution in the socket marked USB.
5. Switch on the Evolution by turning the rotary on/off switch towards you.
6. The software will launch automatically.

The download process is as follows:

- The software will display the serial number of your Evolution and a red progress bar will start to progress across the screen.
- The software will then connect to the database server and then download** the database.
- The Evolution will then save the data received.
- Once the download is complete the Evolution software will instruct you to disconnect the unit from the PC.

** If you have a Firewall on your computer the Firewall software will inform you that the Evolution Updater software is trying to access the internet. Please make sure that you grant/allow/permit/unblock access through the Firewall. Please read the messages supplied by your Firewall software carefully before choosing your option. If you do not allow the program to access the internet through the Firewall, the download process will fail. Please note: Windows XP SP2 comes with a built-in firewall as standard.

As there are constant additions to our database you will need to perform regular downloads. The frequency with which you do this is entirely up to you, but we recommend that higher mileage drivers often driving on unfamiliar roads download once or twice a week whereas lower mileage drivers perform a download once or twice per month.

Please Note: You **MUST** register the unit first before you can perform a download.

Installing the Evolution

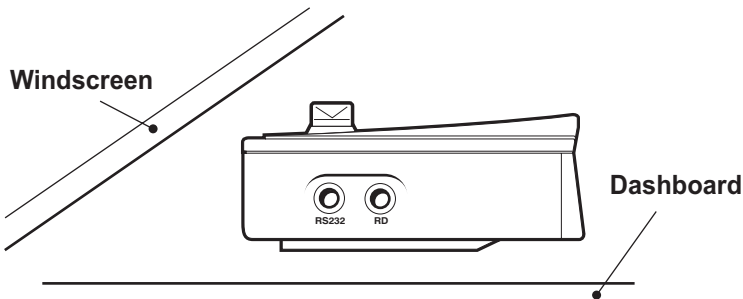
For best results mount the Evolution onto the vehicles windscreen, although it can be mounted on the dashboard with the hook and loop fastener.

When installing your Snooper Evolution please ensure that:

- The unit, with its built in GPS antenna has a clear view of the sky*
- It is located in a position where you can easily view the LED text display without having to take your eyes too far from the road ahead and that you can reach the controls safely.
- Does not interfere with the vehicles controls
- Does not jeopardise the drivers or passengers safety
- You will be able to remove the device to perform downloads.

***Please Note: Some vehicles may come with a 'Heat Reflective', 'Metal Oxide' or 'Athermic' windscreen which may affect the performance of the built in GPS antenna. If you are unsure what type of windscreen is fitted to your vehicle then please contact your local vehicle dealer or manufacturer for further information. In these situations you will need to purchase an external GPS antenna, which can be positioned either on the rear parcel shelf or outside the cabin of the vehicle.**

Once you have found a suitable location for your Evolution secure it in place by using either the suction cup windscreen bracket provided or the 'Hook and Loop' fastener. More detailed installation instructions follow.



PLEASE NOTE: Be careful to choose a location that does not block the drivers view or where it might endanger the driver or passengers should your vehicle suddenly come to a stop or be involved in an accident.

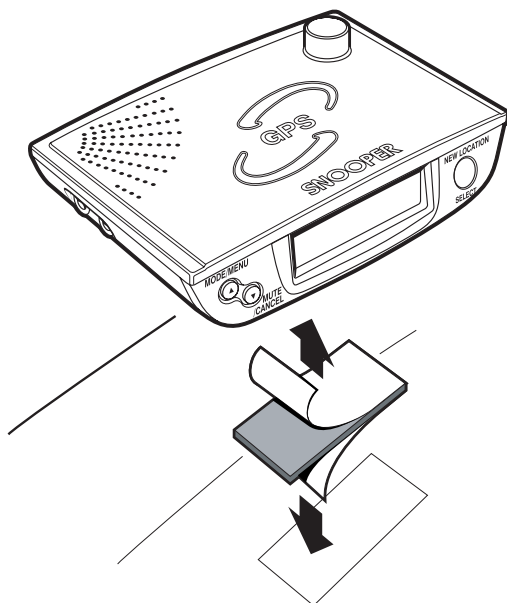
DO NOT leave the unit in view when the car is stationary during hot conditions. Exposing the Evolution to extremely high temperatures can temporarily impair performance. Keep the Evolution out of sight when not in use to help avoid potential theft.

Installing your Snooper Evolution using the Hook and Loop fastener

Your Evolution can be installed easily with the hook and loop fastener if you have a sufficiently flat area on your dashboard. Please remember that you need to connect the power connection cable as well as ensuring that you can read the LED text display and reach the controls safely.

Follow these instructions to mount the device in this way.

- Use a damp cloth to thoroughly clean the bottom of the Evolution and the area where you intend to mount your unit.
- With the two parts of the Hook and Loop fastener still fastened together, peel the backing tape from the softer 'Loop' side of the fastener and apply it to the bottom of the unit.



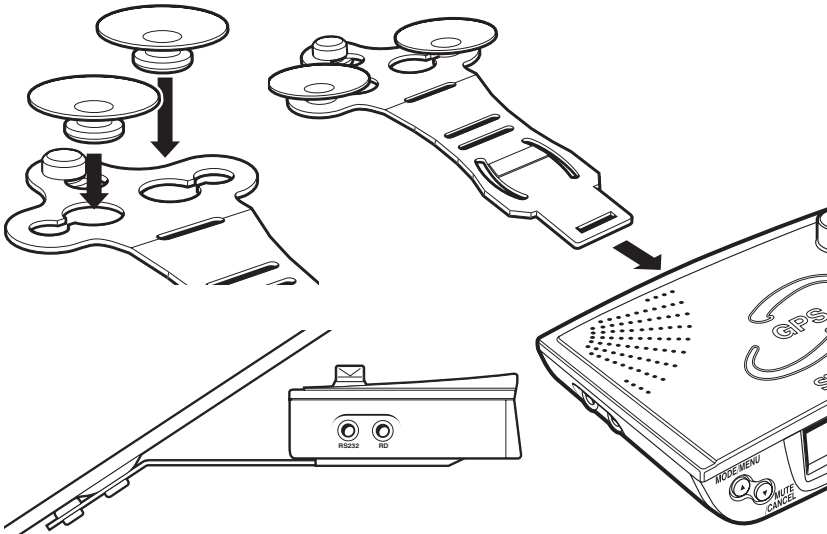
- Next remove the backing tape from the 'Hook' side of the fastener, again whilst the two parts are still fastened and position the unit onto the desired area. If possible leave the Hook and Loop fastener for 24 hours to adhere properly before using regularly.
- Finally plug the smaller plug on one end of the power cable into the socket marked DC 12V on the back of the Evolution and plug the larger plug into the cigarette lighter socket of your vehicle. Your Snooper Evolution is now ready for use. For further information please read the section on Power Connection on [page 12](#).

Installing your Snooper Evolution using the Windscreen Suction Cup bracket

You can mount your Evolution to the inside of your vehicles windscreen using the suction cup windscreen bracket provided. Simply select a position within the windscreen so that the top of the unit has a clear view of the sky, remembering that you need to connect the power connection cable as well as ensuring that you can read the LED text display and reach the controls safely.

Follow these instructions to mount the unit in this way.

- Install the suction cups onto the bracket by fitting them into the holes as per the diagram below.
- Clean the area where you wish to position the bracket thoroughly with a good quality glass cleaner
- Carefully bend the bracket so that when it is mounted onto the windscreen with the Evolution attached, the Control Panel is facing in the desired direction so that you can easily see the LED display and safely operate the controls.
- Slide the Evolution onto the bracket until it is secure.



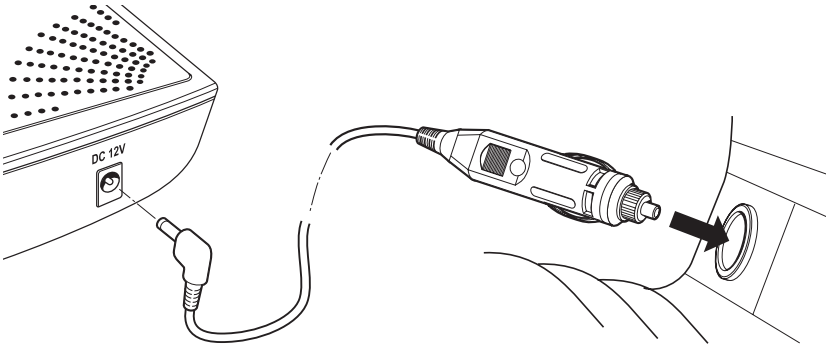
- To remove the Evolution, simply slide the unit off the bracket from the front.
- Finally plug the smaller plug on one end of the power cable into the socket marked DC12V on the back of the Evolution and plug the larger plug into the cigarette lighter socket of your vehicle. Your Snooper Evolution is now ready for use. For further information please read the section on Power Connection on [page 12](#).

Power Connection

Using the cigarette lighter socket

The Evolution comes with a power cable designed to plug into your vehicles cigarette lighter socket. Take the lead and plug the smaller end into the DC 12V input socket on the back of the Evolution and plug the cigarette lighter adaptor into your vehicles cigarette lighter socket.

Please Note: Do not leave your Evolution plugged into the cigarette lighter socket when you start your vehicle. The cigarette lighter socket is prone to power surges as the vehicle is started and this may cause damage to your unit.



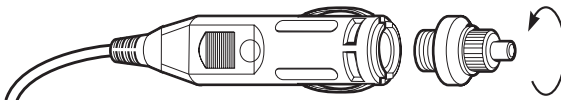
If the device does not power up please check that the cigarette lighter socket is clean of any debris, remembering not to insert metal objects into the socket. Check that the cigarette lighter adaptor is inserted all the way into the socket and check that the fuse in the cigarette lighter adaptor is operational. If your Evolution will still not power up, please check that the cigarette lighter in your vehicle is functioning correctly.

Replacing the Fuse

If the Evolution stops operating, the fuse in the cigarette lighter plug may have blown. If it has blown, follow these steps and replace it with a 2 amp, 5 x 20mm fast acting fuse.

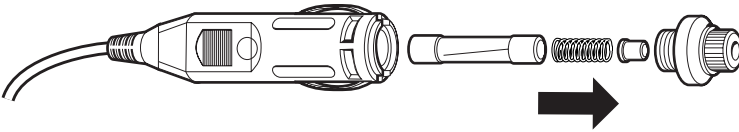
Caution: Using a fuse that does not meet these ratings or defeating fuse protection can damage your unit, the power cable, or the vehicles electrical system.

1. Grasp the ring near the tip of the cigarette lighter plug, and then carefully unscrew the ring by turning it counter clockwise.

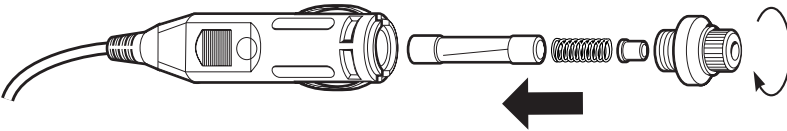


Caution: If you must use pliers to loosen the ring, be careful not to crush the tip. Never use pliers or other tools to retighten the ring on the cigarette lighter plug.

2. Pull the ring straight out, then remove the metal tip, spring and old fuse.



3. Check the fuse to see if it has blown. If it has, replace it.
4. Replace the metal tip and spring inside the ring, then place the fuse inside the cigarette lighter plug and screw the ring back onto the plug. Make sure the metal tip is visible when you reassemble the cigarette lighter plug.



Direct connecting/hard wiring your Evolution

You can power your Snooper Evolution by wiring it directly to your vehicles 12V electrical system using the 'Hard Wire' cable supplied as standard with your unit. First connect the positive side of the cable (marked with a red plus symbol) to a 12V switched live. This is a live that is ON when the ignition is ON and OFF when the ignition is OFF. The negative side of the lead should be connected to a negative ground, so it can be attached to any metal portion of the vehicles frame. Next plug the small adaptor on the other end of the lead into the DC 12V input socket on the back of the unit.

Important: If you are unfamiliar with this procedure, please consult a professional auto electrician.

Operating Instructions

1. Using the Evolution for the first time

After you have performed a download and installed your Evolution it is time to perform the first start up. First make sure your vehicle is parked in as open a space as possible, clear of tall trees and buildings so that the built in GPS antenna has as clear a view of the sky above. Next turn the unit on by rotating the ON/OFF Volume dial towards you. The LED text display will briefly read 'Snooper', Logic # (see page 20), Mway, City or All (page 15) and finally 'Searching for Satellites...' will scroll across the screen as the unit begins to search for satellite connection. The Evolution needs to acquire a minimum of four satellites in order to work. Once this has been achieved the Evolution will proceed to the Standby screen of your choice (See Standby Screen below). As soon as the standby screen is displayed your Evolution is ready to use and will now automatically alert you of any locations stored in its database. A variety of audible and visual alert patterns are explained later on in this section. See 'Features and Settings' to personalise your unit.

As the GPS engine and antenna have never been used before, the first 'Cold' start could take anywhere from 15 – 50 minutes to establish a satellite connection. Once initialised, subsequent start ups will take less time and eventually should take only a matter of minutes.

Please Note: If the unit is not used for some time the initial GPS start up may take longer than when the unit is used regularly.

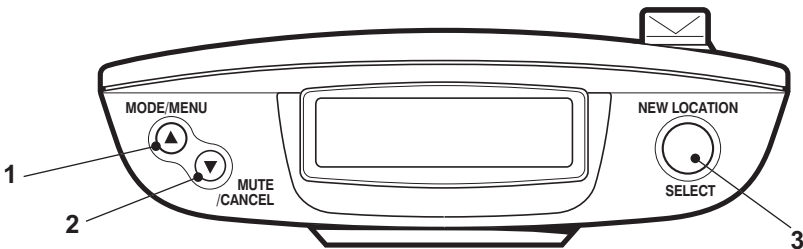
2. Standby Screen

There are three selectable standby screens to choose from:

- Vehicle Speed
- Atomic Clock and Compass
- GPS Signal Strength and Compass

To select your preference:

1. Press and hold the MODE/MENU button (for approximately two seconds) until the unit displays 'Tone'.
2. Using either buttons 1 or 2 scroll through the Menu items until the screen reads 'Scr Mode' and press the SELECT button (3).
3. Using either buttons 1 or 2 scroll up or down through the options. When you reach your desired setting, press the SELECT (3) button again.



If you would like to exit the Menu screen at any time press and hold button 2 for approximately 2 seconds. If no buttons are pressed for a period of five seconds the unit will automatically exit the Menu and return to your chosen standby display.

3. Adjusting the Volume

The Snooper Evolution has an adjustable volume for controlling the loudness of the audible alert. To increase the volume simply rotate the volume control on the right hand side of the device, towards you. To decrease the volume of the unit rotate the volume control away from you.

4. MODE/MENU Button

This button has two functions. The Mode function is used to select between three types of settings, City, Motorway or All. When the button is pressed and held for two seconds it allows you access to the Menu for further configuration of your unit.

When selecting your preferred Mode you need to press the 'SELECT' button to confirm the change.

CITY Mode

In CITY mode the Snooper Evolution will ignore any fixed safety cameras that are located on a motorway and are in range of your unit but not an immediate threat to you, as you are not actually travelling on that section of road.

MOTORWAY Mode

In Motorway mode (displayed as Mway) the Snooper Evolution will ignore any fixed safety cameras that are not actually on a motorway road and are within range of your unit but not an immediate threat to you as you are not actually travelling on that section of road. If your speed drops below 20mph the device will sound an audible alert and the message 'Road Ch?' will be shown on the display to remind you that you may no longer be travelling on a section of motorway and may need to change the mode to 'CITY' or 'ALL'.

ALL Mode

In ALL Mode the Snooper Evolution will detect all fixed safety cameras that are within the selected range of the unit. If you were travelling on a section of motorway for instance it would mean that the unit could detect locations situated on an 'A' road that are near to the motorway. As it is not on the road you are travelling however it is not a threat and you might prefer to select the 'Mway' setting so that the unit would ignore unnecessary alerts.

PLEASE NOTE: Whilst in CITY mode the device will not detect any locations located on a motorway. When the unit is in MWAY mode the unit will not detect any locations located on 'A' roads so you need to remember to change modes when leaving an 'M' type road.

5. Cancel Button

If during an alert you decide that you would like to cancel it simply press and hold the MUTE/CANCEL button (Button 1). The display will automatically return to the Standby screen and the device will be ready to alert you to the next GPS coordinate.

6. Mute Button

If during an alert you decide that you would like to mute the audible alert, but still retain a visual alert simply press the MUTE/CANCEL button briefly (Button 1). The screen will continue to display a visual alert but no sound will be heard. After you have travelled out of range of the location the unit will automatically reset so the next time you encounter a location you will receive both an audible and a visual alert as normal.

7. Alert Pattern

Fixed Speed Safety Cameras

As you approach the fixed speed safety camera the unit will beep twice then begin to emit either a voice alert or your chosen audible alert (either a Soft or Hard 'beep') at your preset alert distance. As you continue to approach the fixed speed safety camera the 'beeping' will quicken. At the same time the display will indicate the type of location you are approaching, then the speed limit at that location and then begin to count down the distance in 50 metre increments to that location. Once you are less than fifty metres away from the fixed speed safety camera the unit will alternate the display showing 'Warning' and the speed limit for that fixed speed safety camera location.

Automute

When your device alerts you to a location, rather than continually beeping through the alert, it simply beeps at your selected volume for five seconds and then automatically mutes the sound to volume level 3 until you are out of range of the source. This allows you to receive a brief audible alert instead of a continuous one.

If you would like to change the alert to a visual alert only press the MUTE/CANCEL button to temporarily turn off the sound. If at any time you would like to stop the alert, simply press and hold the MUTE/CANCEL button.

8. Saving New Coordinates

If in the unlikely event that you pass the location of a fixed speed safety camera and your Snooper Evolution does not provide you with an alert, you have the opportunity to store the coordinates of the location manually. Simply park safely as close as possible to the site and press and hold the 'New Location' button (button 3) for approximately two seconds. If the voice setting on your unit is switched on the unit will confirm the location has been added by saying 'User data stored' and the screen will display 'Save M' and the number of the location in your unit's memory.

When you next pass the site your Snooper Evolution will now alert you to that new location. As you approach the fixed speed safety camera the unit will display 'User Pnt' and provide either a voice alert stating the location as a 'Risk zone' or your chosen audible alert. Your unit can hold up to 99 coordinates in its memory.

Troubleshooting – Saving New Coordinates

When you attempt to save a new coordinate but the display reads 'Weak Sgn' it means that your Snooper Evolution is not receiving sufficient signal strength to plot the position. Please ensure that the Snooper Evolution built-in GPS antenna has a clear view of the sky, the unit is displaying the standby screen and try again.

When you attempt to save the new coordinate and the display reads 'Mem Full' it means that the memory in your Snooper Evolution is completely full. If you want to store any new coordinates you will have to either delete some or all of the existing coordinates stored in the unit's memory.

9. Deleting Stored Coordinates

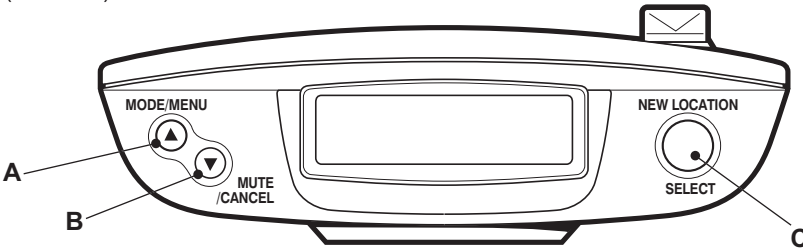
If you would like to delete any of the coordinates you have stored in your units memory simply enter the units Menu by pressing the MODE/MENU button (button 2) for approximately two seconds. When 'Tone' appears on the display use either the MODE/MENU button (button 2) or the MUTE/CANCEL button (button 1) to scroll through the Menu options until you see 'MEM Edit' and press the SELECT button (button 3).

Using buttons 1 or 2 you can select two further options of either 'Sel clr' or 'All clr'. If you want to delete all the coordinates at once select 'All clr' by pressing button 3. The display will show 'Del All?' press button 3 again to confirm your selection. Once all the coordinates have been cleared the display will read 'All clrd'. If you would like to delete a specific coordinate then you will need to select option 'Sel clr' and then using button 1 or 2 scroll through the list of stored coordinates until the one you would like to delete is showing on the display and press the SELECT button (button 3). The screen will read 'Data clr' to confirm the coordinate has been deleted.

Features and Settings

Your Snooper Evolution has many different features and settings that you can adjust very easily.

To get into the Menu of the user options press and hold the MODE/MENU button (button A) until the display reads 'Tone'. Once 'Tone' is displayed use the MODE/MENU or the MUTE/CANCEL (button B) buttons to scroll through the options and then select your desired menu item by pressing the SELECT (button C) button.



Please Note: If you would like to exit the Menu at any time press and hold the MODE/MENU button for approximately two seconds. The unit will 'beep' twice and return to the Standby display. If you do not press any buttons for a period of five seconds the unit will automatically exit the Menu and return to the Standby display.

The following menu options are available on your unit. Press SELECT once your desired option is displayed.

1. Tone

There are three audible settings to choose from, a Hard Tone, a Soft Tone or Silent (Off). To select your desired setting press either the MODE/MENU or MUTE/CANCEL buttons to scroll through the options available. Once you have chosen your preferred setting press the SELECT button. The unit will confirm the new setting by displaying 'Changed' twice and will then return to the Menu.

2. Warn Sel

The Snooper Evolution allows you the option of choosing whether or not you would like to receive advanced warnings of Primary Schools (Schools are time sensitive on the Evolution – 08:30-09:30am, 12:00-13:00 and 15:30 to 16:30) and areas such as Accident Black spots that may not currently have Speed Trap's installed near them but which are still considered High Risk Zones. Schools and High Risk Zones can be selected independently by following these instructions.

To adjust these settings use either the MODE/MENU button or the MUTE/CANCEL button to go through the options (School, Risk zone or Others). Once your desired option is displayed press the SELECT button. Then using either buttons A or B you can select your preferred setting.

Once you have chosen your desired setting press the SELECT button. The unit will confirm the new setting by displaying 'Changed' twice and will then return to the Menu.

3. Bright

There are three settings that you can choose from for the brightness of the LED display. They are Bright, Dark or Dim.

To adjust the brightness press either the MODE/MENU button or the MUTE/CANCEL button until your preferred setting is displayed then press the SELECT button. The unit will confirm the new setting by displaying 'Changed' twice and will return to the Menu.

4. Set Time

The Snooper Evolution can be configured to display the time on the Standby Screen. This reading is updated by the GPS Atomic Clock and is generated directly from Greenwich Mean Time (GMT) and is completely accurate. The device is supplied with a factory default setting of GMT+0.

To adjust the clock to British Summer Time press the MODE/MENU button until 'GMT + 1' is displayed then press the SELECT button. The unit will confirm the new setting by displaying 'Changed' twice and will then return to the Menu.

To adjust the clock to Greenwich Mean Time press the MUTE/CANCEL button until 'GMT + 0' is displayed then press the SELECT button. The unit will confirm the new setting by displaying 'Changed' twice and will then return to the Menu.

5. Voice

The Snooper Evolution has a selectable voice alert which is switched 'ON' by default. This facility allows your unit to inform you exactly what type of location you are approaching without you having to take your eyes from the road. The unit also indicates the posted speed limit for that location.

To alter the settings for voice alerts use either the MODE/MENU button or the MUTE/CANCEL button until your preferred setting ('Voice ON' to switch voice alerts on or 'Voice OFF' to switch voice alerts off) is displayed then press the SELECT button. The unit will confirm the new setting by displaying 'Changed' twice and will then return to the Menu.

6. MEM Edit

It is possible to add and edit your own personal locations on your Snooper Evolution. To add a new location make sure you are stationary and parked in a safe, legal manner then press and hold the 'New Location' button for approximately two seconds.

To view your saved coordinates use either the MODE/MENU button or the MUTE/CANCEL button to scroll up or down through the options until 'Sel clr' is displayed, then press the SELECT button. You can scroll through your saved coordinates by using either the MODE/MENU or MUTE/CANCEL buttons. Please note that if you press the SELECT button at any time while

using this option it will automatically delete the coordinates displayed. Any coordinates stored will be listed in numerical order – MEM 01, MEM 02, MEM 03 etc. Use buttons 1 or 2 to scroll up or down to view your stored coordinates.

If you wish to clear all your personal locations press the SELECT button when 'All Clr' is displayed. The unit will display the message 'Del All?' press the SELECT button again and the unit will confirm that they have been deleted by displaying 'All Clrd' and will then return to the Menu.

7. Smart

The Smart Mute setting provides an alternative alert when approaching a fixed safety camera. If you are travelling below the posted speed limit the unit will provide an audible and visual alert but as the unit counts down the distance to the fixed safety camera the rest of the alert will be a visual alert only. If you are travelling above the posted speed limit you will receive both an audible and a visual alert as normal. Once you drop below the posted speed limit for that fixed safety camera the audible alert will cease and the unit will only provide a visual alert.

To adjust the Smart Mute setting press either the MODE/MENU button or the MUTE/CANCEL button, select your preferred setting of either ON or OFF and then press the SELECT button. The unit will confirm the new setting by displaying 'Changed' twice and will return to the Menu.

8. Logic

There are a number of different ways that you can programme your Snooper Evolution to locate fixed cameras. You can choose between three different Logic Modes:

Logic 1

When this mode is selected your unit will alert you via your chosen audible alert as well as visual alerts of fixed cameras on both sides of the road.

Logic 2 (Factory Default Setting)

When this mode is selected your unit will alert you via your chosen audible alert as well as visual alerts of fixed cameras on your side of the carriageway only. The unit will not indicate the presence of cameras or monitoring vehicles on the opposite side of the carriageway as you approach them.

Logic 3

When this mode is selected your unit will alert you with a hard tone audible alert as well as visual alerts of fixed cameras on your side of the carriageway but will only give you a soft tone audible alert and a visual alert of cameras on the opposite side of the carriageway as you approach them. If you have voice alerts selected you will get a voice alert as well as visual alerts of fixed cameras on your side of the road and just a soft audible and visual alert of cameras on the other side of the carriageway.

Selecting Your Preferred Logic Mode

To change the logic mode press either the MODE/MENU button or the MUTE/CANCEL button to select your preferred logic mode. Once you have

chosen your desired setting press the SELECT button. The unit will confirm the new setting by displaying 'Changed' twice and will then return to the Menu.

9. Speed Limit (Lmt)

This safety feature has been designed to let you program your Snooper Evolution to alert you when you reach any speed you choose. For instance you could set your unit to alert you when your speed reaches 30mph so that you never accidentally stray over the speed limit.

To set the speed limit alert press either the MODE/MENU button or the MUTE/CANCEL button you can increase or decrease the speed that you would like to be alerted to. Once you have chosen your desired setting press the SELECT button. The unit will confirm the new setting by displaying 'Changed' twice and will then return to the Menu.

10. Speed Unit

This feature allows you to choose which speed measurement method you prefer either kilometres per hour (Km/h) or miles per hour (MPH). The device is supplied with MPH turned on as the factory default setting.

To adjust the speed measurement type press either the MODE/MENU button or the MUTE/CANCEL button to select your desired speed measurement type. Once you have chosen your desired setting press the SELECT button. The unit will confirm the new setting by displaying 'Changed' twice and will return to the Menu.

11. Pre-Alert Setting

The pre-alert setting allows you to adjust the distance that your Snooper Evolution will detect from when utilising GPS. You can set your pre-alert distance in 100 metre increments from 100m to a maximum of 1000m or alternatively you can select a new feature - 'Auto Range'.

Auto-range simply selects the correct alert distance to each camera detected depending on the speed limit of the road the camera is situated on. The different alert distances are shown below.

Detection distances for Fixed Cameras and High Risk Zones

Speed Limit	Pre-Alert
20mph	250m
30mph	300m
40mph	350m
50mph	400m
60mph	700m
70mph	700m

To adjust the pre-alert distance press either the MODE/MENU button or the MUTE/CANCEL button to increase or decrease the distance or to select Auto-range. Once you have selected your desired pre-alert setting press the SELECT button. The unit will confirm the new setting by displaying 'Changed' twice and will then return to the Menu.

Motorcycle Installation

The Snooper Evolution can be installed on to a motorcycle. An ear piece is available as an optional extra so that audible alerts can be heard.

Instructions for mounting the Evolution are as per the installation guide on pages 7 to 11. Remember however that the Snooper Evolution is not waterproof so needs to be mounted within a tank bag or other waterproof holder. Always remember that in order for your Snooper Evolution to work effectively the unit needs to be positioned so that the built in GPS antenna has an unobstructed view of the sky. If you require any further advice please visit our website www.snooperneo.co.uk

Troubleshooting Evolution Downloads

If you are having difficulty performing a download to your Snooper Evolution it is worth going through the following checklist first before contacting us. If you are still unable to perform a download after following this checklist then please telephone our technical support helpline 0870 787 0700 (Option 3).

This guide is in two sections; the first section is a list of things to check before performing a download and the second section consists of possible reasons and solutions to error messages encountered while trying to perform a download.

SECTION ONE

1. Have you registered your Evolution?

You will not be able to download the database unless the Evolution is registered. To register your unit visit www.snooperneo.co.uk

2. Is the USB PC connection lead supplied with the Evolution connected correctly?

Please check that the USB lead is plugged into the USB socket on the Evolution and is fully plugged in as far as possible. Check the computer connection is secure.

3. Have you installed the driver for the USB connection lead correctly?

This lead requires a driver to be installed onto your PC. The driver software is on the software disc provided and requires installing before the Evolution Updater software is installed.

4. What operating system are you using on your computer?

The Snooper download software will only work on the following Windows operating systems: **Windows 2000 and Windows Xp.** *THE SOFTWARE WILL NOT WORK ON WINDOWS 95/98/98SE and Millennium. Apple Macintosh is not supported.*

To determine which operating system you have on your computer:

- a) Right click on the 'My Computer' icon on your desktop and select 'Properties' from the drop down menu.
- b) When the 'System Properties' dialogue box opens the 'General' tab is selected by default. Under the heading 'System' the operating system is displayed.

5. Have you installed the Evolution download software onto your PC?

If you have not installed the software you will not be able to perform a download to your Evolution. Once the software is installed there will be a new icon on your desktop: 'Evolution Updater'. Please check to see if you have the latest version of the software by visiting www.snooper.fr and clicking on the link 'Technical Support'.

6. Have you connected your PC to the internet?

The computer needs to be connected to the internet before you can begin to download the database to your Evolution.

7. What version of Internet Explorer / Netscape Navigator are you using?

The software will only operate if you have Internet Explorer or Netscape Navigator 4.5 or above.

To check what version of Internet Explorer you have; open your browser, click on the 'Help' menu and select 'About Internet Explorer'. This should now display what version you currently have installed. If you have a version older than 4.5 (e.g. 4.0), open your browser, click on 'Tools' and select 'Windows Update'. This will take you to the Microsoft website where you can download the latest version of internet explorer.

To check what version of Netscape Navigator you have: open the browser, click on the 'Help' menu and select 'About Netscape Navigator'.

SECTION TWO

If after going through section one you are still experiencing difficulty or have received an error message please read through the following:

ERROR MESSAGE – '-2147220504 There was a error downloading the data'

If you get an error message similar to the above this normally means there is something blocking communication between the software, most typically a firewall, and our server. Windows XP is supplied with an 'Internet Connection Firewall'. Depending on which Service Pack you have for this operating system you will need to access the firewall settings and allow access for the software. We recommend updating to Service Pack 2 as this will allow easier configuration.

If you have a Firewall on your computer the software may appear to hang and your Firewall software will inform you that the Snooper Updater software is trying to access the internet. Please make sure that you grant/allow/permit access through the Firewall. Please read the messages supplied by your Firewall software carefully before choosing your option. If you do not allow the program to access the internet through the Firewall, the download process will fail.

If no message was prompted by the firewall software uninstall and then re-install the software and perform a download again.

Warning: We do not recommend disabling your firewall software in order to perform a download to your Snooper Evolution nor can we advise how to alter the settings on third party software nor can we be held responsible for any action taken by the computer user that makes the computer more vulnerable to viruses and computer hackers. Any changes made to the computer firewall settings are at the user's discretion. We would recommend contacting the third party software manufacturer for information of how to configure the firewall software.

Other Problems

The unit cannot be switched on

Check that the cigarette lighter adaptor is well inserted into the cigarette lighter socket and that the cigarette lighter socket is functioning properly. Check that the lighter socket is clean and free from debris. Also check that the fuse of the cigarette lighter adaptor is intact.

If you are using the hardwire connection check that you have secured a good earth and that you have taken the 12v feed from a 12v supply that is live on ignition. Also check that the in-line fuse is intact.

The unit cannot acquire satellite connection

Check that the Evolution's built in GPS antenna has a clear view of the sky above.

If this is the first time you have powered up your Snooper Evolution please remember that the first 'cold' start may take up to 50 minutes to acquire sufficient satellite connection. The unit requires time to calibrate and you will find that with subsequent use that the time for acquiring satellites will reduce. Eventually the unit should take approximately 90 seconds to acquire satellite connection.

Disconnect and reconnect the power to the unit and start the power up procedure again.

The satellite signal temporarily or permanently drops out

This may happen temporarily in areas where there are a significant number of tall buildings or trees or whilst driving through a tunnel. The signal should only be lost for a few seconds and quickly reacquired.

Check that the device has not moved and that the built in GPS antenna still has a good clear view of the sky above.

Very occasionally you may experience bad satellite coverage that may lead you to losing a signal. This should last no longer than a few minutes.

The device does not appear to respond to Police speed monitoring systems

Have you performed a download recently? If not, perform a fresh download to ensure that you have all the latest coordinates stored on your device.

Check your settings to see if you have 'Smart Mute' activated. If 'Smart Mute' has been activated the device will only alert you to GPS generated locations if you are travelling above the posted speed limit.

Specification

General

Power requirements	10 – 16V DC, 310mA (Negative Ground)
Temperature Range	4 to 158OF (-20 to 70OC)

Dimensions

Width	105mm
Depth	75mm
Height	27mm

GPS

Receiving Method	18 channels parallel
Receiving Frequency	1575.42Mhz +/- 1Mhz, C/A code
Initial cold Start	45 to 50 minutes (Typ) At normal temperature
Normal Cold Start	90 seconds (Typ) At normal temperature
Warm Start	45 seconds (Typ) At normal temperature
Hot Start	15 seconds (Typ) At normal temperature

Snooper Accessories & Price List

The following accessories are available from your local Snooper dealer. For further details please visit www.snooperuk.com

External GPS extension antenna.....	£34.99
Coiled power lead with cigarette lighter adaptor.....	£12.95
2m Straight power lead with cigarette lighter adaptor.....	£12.95
2m Straight hard wire lead with fuse.....	£12.95
Windscreen mounting bracket.....	£24.95
USB PC connection lead.....	£12.95
1 – 3 Lighter socket extension.....	£7.99
25ml anti-static LCD display cleaner & protector.....	£7.49

Service under Warranty

Your Snooper Evolution comes with a standard two year manufacturer's warranty.

If, for some reason, your unit requires service under warranty return your Snooper Evolution, via special or recorded delivery and in suitable packaging to:

**The Returns Department
Performance Products Limited
Clever House
Sarus Court
Manor Park
Cheshire WA7 1UL**

Enclose the following information:

- (a) Your name, address and a full description of the problem.
- (b) A telephone number where you can be reached during business hours.
- (c) Your units' serial number.